

**V300 Series
3 1/4" Frame Depth
Picture Window (Fixed)
to match V300 Casement
and V300 Awning**

V300 SERIES PICTURE WINDOW (FIXED)

**to match V300 Casement
and V300 Awning**

FEATURES

- ◇ **Commercial Framing System**
 - 3 1/4" main frame
- ◇ **Enhanced Design**
 - Mitered and welded corners
 - 2 1/16" sightlines
- ◇ **Glazing**
 - 1" insulated glass
- ◇ **Integral Nailing Fin**
- ◇ **Colors**
 - White or Sandstone vinyl (interior/exterior)

BENEFITS

- ◇ Perfect alternative product for commercial projects 8-stories and less. (up to 11 stories using receptor and subsill system)

OPTIONS

- ◇ **Available Configurations**
 - Fixed
- ◇ **Muntin Choices**
 - Internal or simulated divided lites available
- ◇ **Glazing**
 - Multiple Low-E and argon glazing choices
 - Triple glazing (Energy TG)
 - Capillary tubes
 - Wide variety of glazing, tinting and thickness options
- ◇ **Panning & Trim Choices**
 - Wide variety of panning, receptor and trim available
- ◇ **Mulling**
 - Wide variety of structural mulls
- ◇ **Colors**
 - High-performance Textured Black laminate (interior/exterior)
 - High-performance Textured Black laminate (exterior only with White vinyl or Textured Black laminate interior)
 - High-performance Textured Dark Bronze laminate (exterior only with White vinyl interior)
 - Twelve painted exterior colors (with White or Sandstone vinyl interior)
 - Unlimited custom painted exterior colors

PERFORMANCE

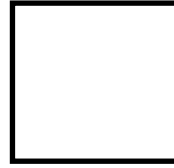
- ◇ Structural & Thermal (test reports or thermal simulations available upon request)

Model	Picture Window (Fixed)
NAFS Rating	CW-50
Structural Load P.S.F.	75.19
Air at 50 MPH (cfm/ft ²)	<0.30
Water (No Penetration) P.S.F.	7.5
U-Value (with Low-E and Argon)	0.21-0.27
SHGC (with Low-E and Argon)	0.11-0.54

Window test size: 78" x 78"

Our products are tested to the standards of and certified by some of the foremost organizations in the fenestration industry.



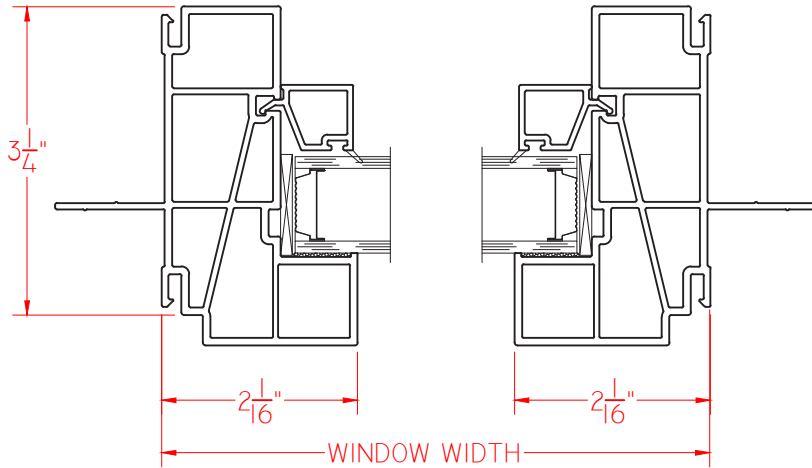


V300 Series
3 1/4" Frame Depth
Picture Window (Fixed)
to match V300 Casement
and V300 Awning

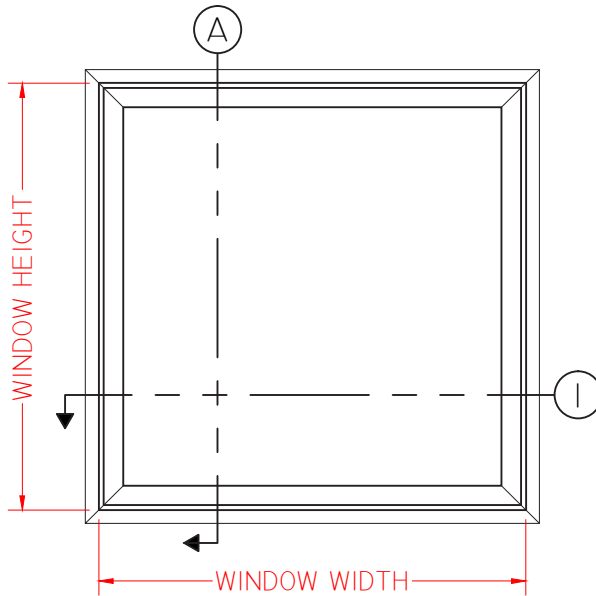
V300 SERIES PICTURE WINDOW (FIXED)

to match V300 Casement
and V300 Awning

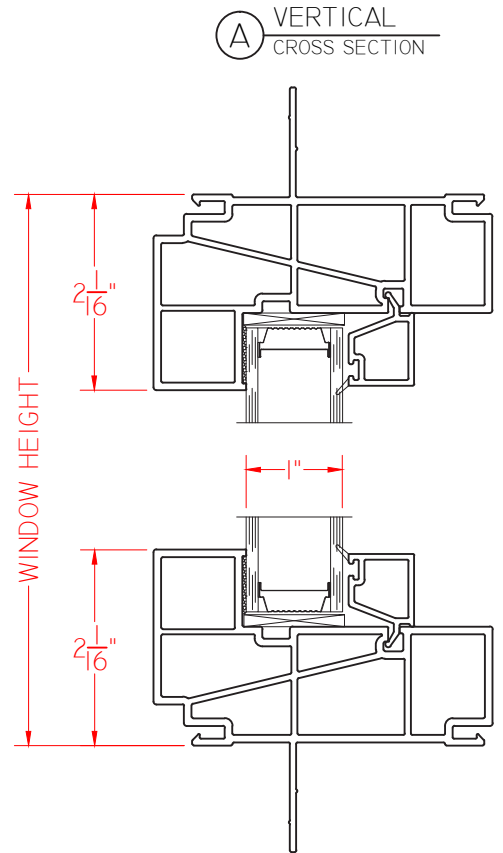
This document contains confidential and proprietary information intended for the private use of Quaker.
 © 2016 Quaker Window Products Co., INC. All rights reserved.
 Quaker reserves the right to change any/all designs without notice. Due to periodic re-certification requirements, result shown may vary.



① HORIZONTAL CROSS SECTION



ELEVATION SCALE 3/4" = 1'-0"



Ⓐ VERTICAL CROSS SECTION

SCALE 1:2

Our products are tested to the standards of and certified by some of the foremost organizations in the fenestration industry.

